

FMC424 FPGA Mezzanine Card

Stackable QSFP+ Module

The FMC424 is a dual QSFP+ FPGA Mezzanine Card. Electrically compliant with the VITA 57.1 standard the FMC424 is compatible with carrier cards offering High Pin Count connectors.

Stackable

The FMC424 offers the option to be stacked over another FMC, if the carrier FMC supports this. Any of the 4DSP FMC that passes through I2C and Gigabit transceivers can carry an FMC424, thus offering users with the ability to build a complete high speed data acquisition, waveform generation and optical communication solution while using a single FMC site on an FPGA carrier card.

The FMC424 is an ideal solution to bring high speed optical connectivity to an FPGA based system and ensure reliable external communication.

Board Support Package

Our Board Support Package helps customers get their hardware implementation underway as quickly as possible by providing reference designs, the Stellar IP FPGA development tool, and the 4FM GUI user interface for controlling and monitoring the hardware, as well as other supporting elements.

Typical applications

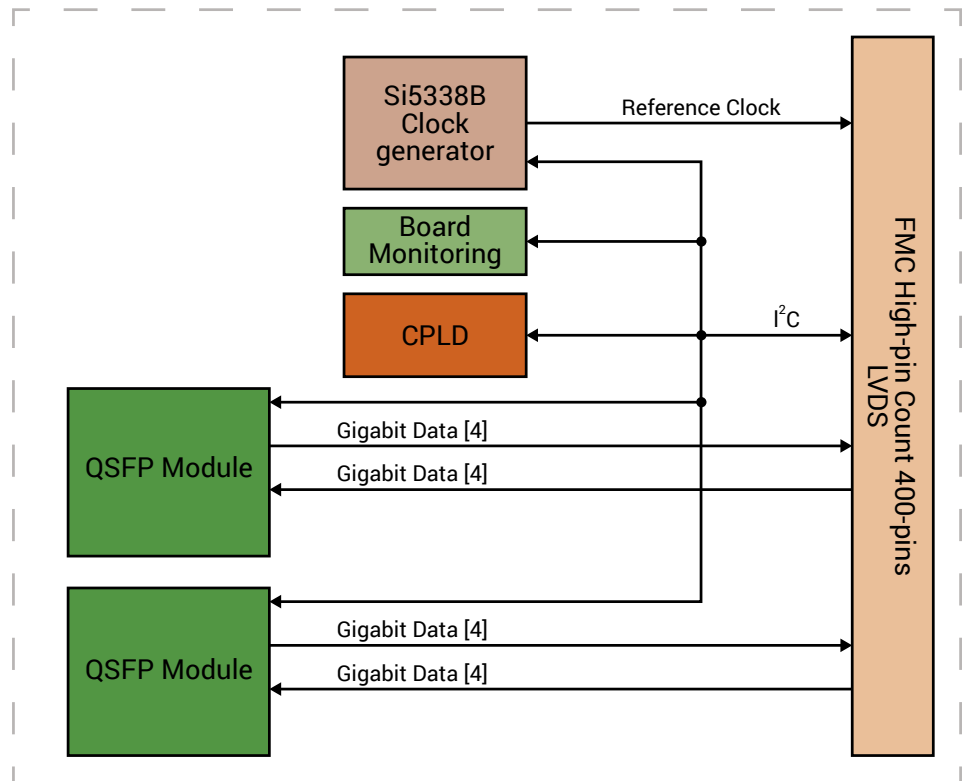
- Telecommunications systems
- Data networking
- Enterprise data storage
- Video surveillance
- High-performance computer/FPGA interconnects
- InfiniBand DDR SX interconnects
- Telecom and Datacom switch and router backplane connections
- Reach extensions for protocols including PCIe, HyperTransport, and Serial RapidIO

FEATURES:

- Dual QSFP+
- 10.3125 Gbps per transceiver, 82.5 Gbps total data rate
- GBT FMC connector signaling
- Conduction cooled compatible
- ANSI/VITA 57.1-2010 electrically compliant
- 1.5V to 3.3V VADJ operation
- High Pin Count (HPC) connector
- MIL-I-46058c conformal coating (optional)

FMC424 FPGA Mezzanine Card *Stackable QSFP+ Module*

Block diagram



Ordering information

Contact Abaco Systems for pricing and availability.

WE INNOVATE. WE DELIVER. YOU SUCCEED.

Americas: 866-OK-ABACO or +1-866-652-2226 Asia & Oceania: +81-3-5544-3973

Europe, Africa, & Middle East: +44 (0) 1327-359444

Locate an Abaco Systems Sales Representative visit: abaco.com/products/sales

abaco.com | @AbacoSys

©2017 Abaco Systems. All Rights Reserved. All other brands, names or trademarks are property of their respective owners. Specifications are subject to change without notice.