

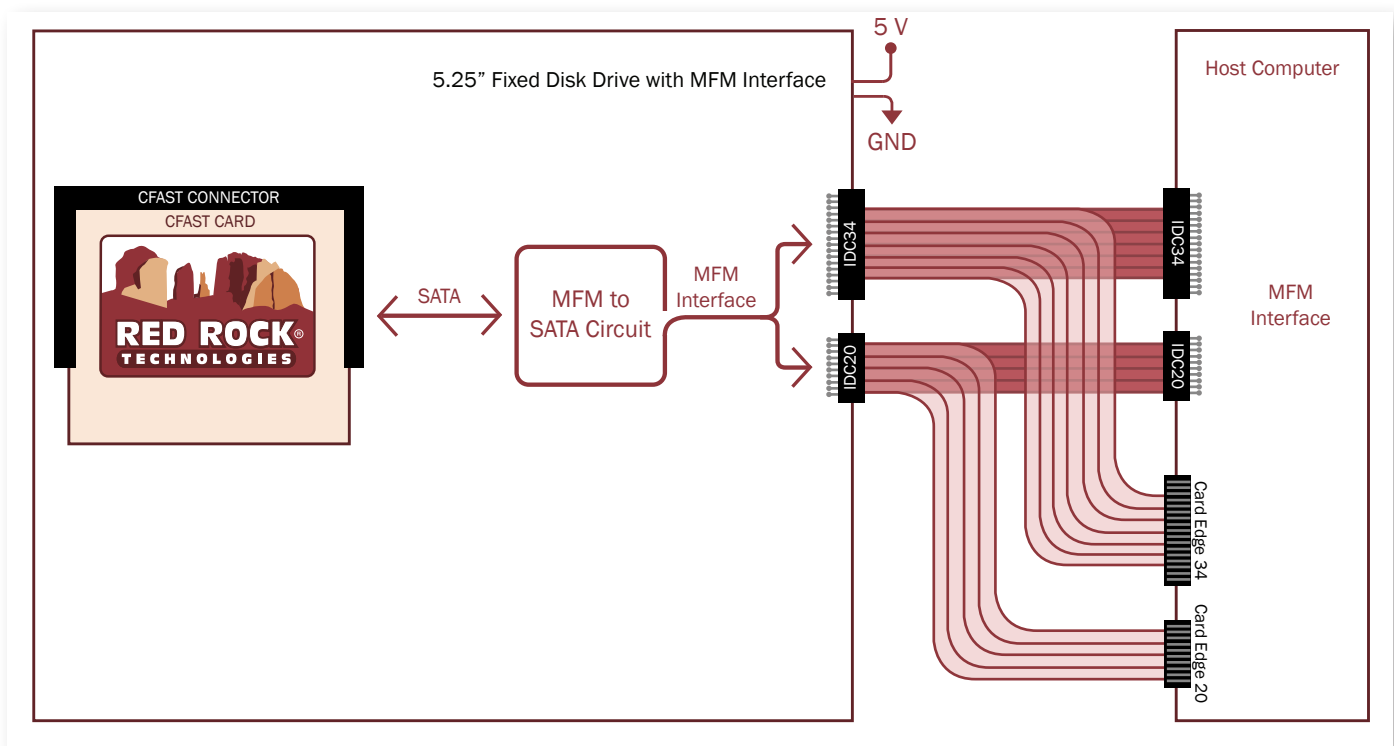


RRT-525MFM-CFAST 5.25" Hard Disk Drive with MFM Interface

- Drop in replacement for obsolete 5.25" Hard Disk Drives with MFM interface
- MFM encoding, ST506/412 compatability
- Transfer rate of 5 MB/s
- Capacities up to 300 MB
- Commercial temperature range (0°C to 70°C)
- Extended temperature range (-40°C to 85°C)
- Conformal coating available
- IDC 34-pin connector and IDC 20-pin connector
- RoHS Compliant
- US-based engineering and manufacturing
- In-house technical support



5.25" HARD DISK DRIVE WITH MFM INTERFACE is a long-term industrial-grade solution for replacement of obsolete 5.25" Hard Disk Drives from Seagate, Western Digital, Fujitsu, IBM, Maxtor, Quantum, Miniscribe, Shugart, Teac, Sony, Panasonic, and Honeywell.



Ordering Information

MFM Drive

RRT-525MFM-CFast-UR - X

Options May be left blank

Conformal Coating
UR Polyurethane
AR Acrylic

Extended Temperature Range
X -40°C to 85°C

ORDER EXAMPLES

RRT-525MFM-CFast
RRT-525MFM-UR-X-CFast

CFast Card

RRT-CFAST-SLC - 8GB - X - WP

Requirements

NAND Flash Type
SLC Single Level Cell
MLC Multi Level Cell
TLC Tri Level Cell (3D)

Capacity
4GB - 64GB SLC
8GB - 512GB MLC
32GB - 1TB TLC

Options May be left blank

Write Protect
WP Write Protect

Extended Temperature Range
X -40°C to 85°C

ORDER EXAMPLES

RRT-CFAST-MLC-512GB
RRT-CFAST-SLC-8GB-X-WP



Product Specifications

5.25" FIXED DISK DRIVE WITH MFM INTERFACE

PERFORMANCE

NAND FLASH TYPE	TLC	MLC	MLC-X	SLC
CAPACITIES	Capacities up to 300 MB			
INTERFACE	Standard IDC 34-pin and 20-pin connector			
SECTOR SIZE	256 or 512 bytes			

RELIABILITY

MTBF (HOURS) ¹	1 million hours	2 million hours	3 million hours
ENDURANCE (100 GB SSD)	70 TBW		350 TBW
DATA RETENTION	1 year ²		10 years ³

POWER

VOLTAGE	+5V +/- 5%
WATTS (IDLE)	0.5 W
WATTS (ACTIVE)	2.5 W max

ENVIRONMENTAL

OPERATING TEMP.	0 °C to 60 °C	0 °C to 70 °C	See MLC	0 °C to 70 °C
EXTENDED OPERATING TEMP.	Not available	See MLC-X	-40 °C to 85 °C	
STORAGE TEMP.	-40 °C to 85 °C			
ALTITUDE	10,000 ft. (3,000 meters)		80,000 ft. (24,000 meters)	
RELATIVE HUMIDITY	5% to 95% non-condensing			
SHOCK	350g 2 milliseconds		50g 11 milliseconds	
VIBRATION	1g 5Hz to 500 Hz		12g 20 Hz to 2000 Hz	

PHYSICAL

FORM FACTOR	5.25" drive
WEIGHT	15 oz. max (420g)
DIMENSIONS	5.75" x 8.00" x 1.625" (146.05mm x 203.2mm x 41.275mm)

NOTES

- (1) Telcordia SR-332, Issue 3, operating temp. (40 °C), electrical stress (50%), environmental factor (1.0)
 (2) SLC: 10 years at 10% TBW ramping down to 1 year at 100% TBW
 (3) MLC: 10 years at 0% TBW ramping down to 1 year at 100% TBW



Red Rock Technologies, Inc. reserves the right to modify, change or discontinue specific products within its product line at its own discretion. Red Rock Technologies, Inc. does not assume any liability resulting from the application or use of its products. The information contained herein has been checked and is believed to be entirely accurate; however, no responsibility is assumed for inaccuracies. "Red Rock Technologies" and the mountain logo are registered trademarks of Red Rock Technologies, Inc.

© Copyright 2023 Red Rock Technologies, Inc.
 All rights reserved. (Rev. 20230106a)