

XPand1400 Series

Development Platform for XPand6000 Series, X-ES COM Express® Modules, and XMC/PMC Modules

- ▶ Single COM Express® site with AB and CD connectors
- ▶ For NXP (formerly Freescale) QorIQ processor-based development, COM Express® Compact (Type 5FS) and Mini (Type 10FS) modules supported
- ▶ For Intel® Core™ i7 processor-based development, COM Express® Basic (Type 7) and Mini (Type 10) modules supported
- ▶ Single XMC/PMC site
- ▶ Single XIM/PIM site for XMC/PMC rear I/O
- ▶ Single CIM site for COM Express® rear I/O
- ▶ One RJ-45 Gigabit Ethernet connector
- ▶ Two USB 2.0 connectors
- ▶ Two DB-9 serial connectors
- ▶ One Mini DisplayPort connector
- ▶ One eSATA connector
- ▶ One PCIe Edge Card site
- ▶ Three internal SATA connectors
- ▶ Two internal USB 2.0 connectors



XPand1400 Series

The XPand1400 Series COM Express® development platform provides a convenient desktop setup for the XPand6000 Series Small Form Factor (SFF) systems and other COM Express® applications to enable early development and rapid prototyping. The XPand1400 Series includes all of the functionality of the XPand6000 Series, including support for a COM Express® module and an XMC or PMC. With the XPand1400 Series, the transition from development to the target XPand6000 Series system or custom COM Express® carrier card is made easy.

The XPand1400 Series provides basic COM Express® I/O via fixed connectors, which are accessible through the back panel of its open-frame ATX chassis. Additionally, it provides a COM Express® I/O Module (CIM) site for access to I/O not available at the fixed connectors. One XMC/PMC I/O Module (XIM/PIM) site is also available for XMC/PMC rear I/O.

An integrated fan located below the XMC/PMC site provides ample airflow for the most powerful modules. Simply removing the open-frame ATX cover gives access to internal I/O.

X-ES

Extreme Engineering Solutions

...Always Fast

Extreme Engineering Solutions

9901 Silicon Prairie Parkway • Verona, WI 53593
 Phone: 608.833.1155 • Fax: 608.827.6171
 sales@xes-inc.com • <https://www.xes-inc.com>

COM Express®

- Supports COM Express® Compact (Type 5FS) and Mini (Type 10FS) modules, specifically targeting NXP (formerly Freescale) QorIQ processor-based modules
- Supports COM Express® Basic (Type 7) and Mini (Type 10) modules, specifically targeting Intel® Core™ i7 processor-based modules
- Carrier card provides cutout for access to debug COM Express® modules

XMC/PMC Mezzanine

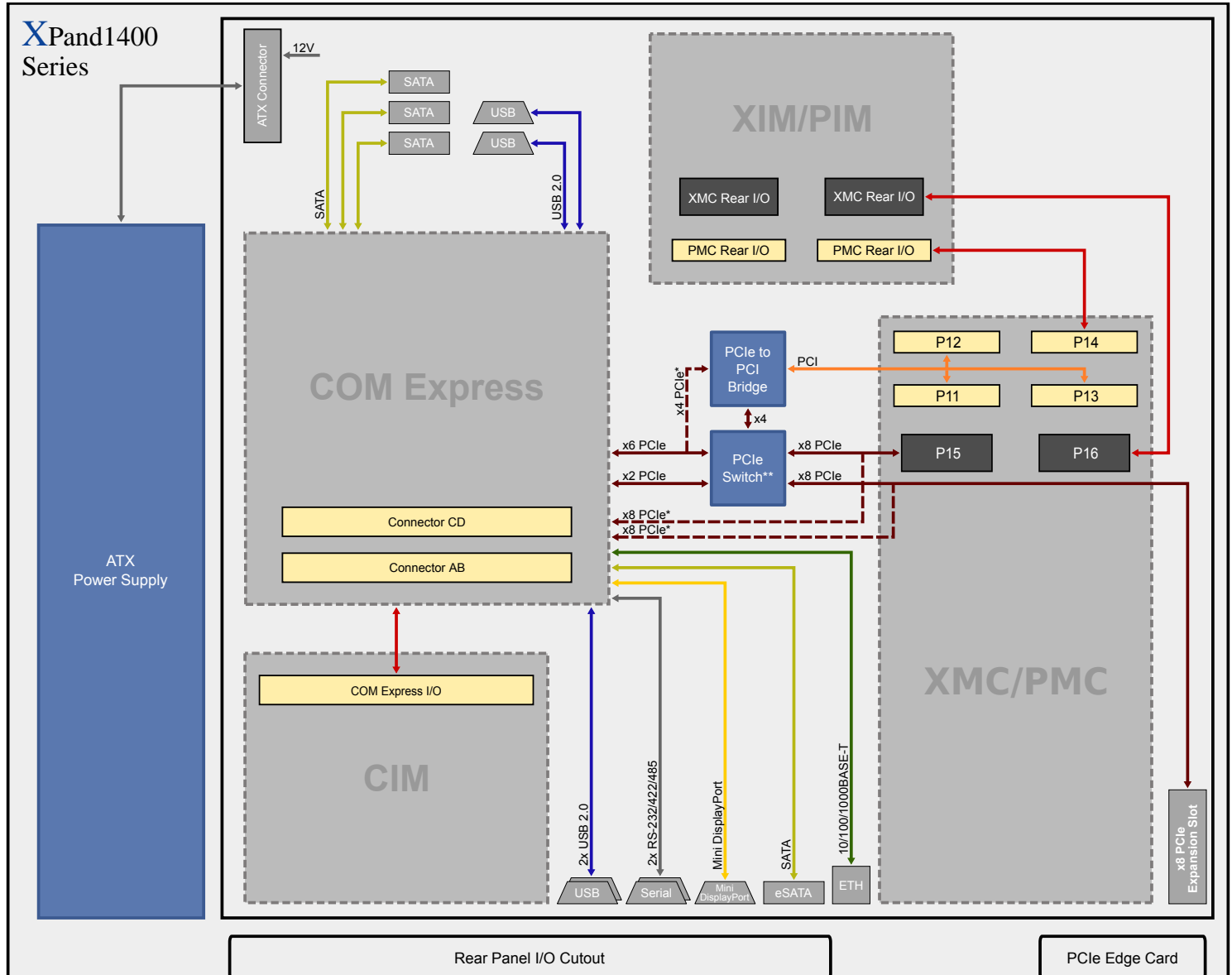
- 32/64-bit PCI/PCI-X up to 133 MHz
- Conventional PCI 33/66 MHz or PCI-X 66/100/133 MHz
- x8 PCIe from COM Express® CD connector
- Single XIM/PIM site for XMC/PMC rear I/O

Internal I/O

- Three SATA connectors
- Two USB 2.0 connectors

COM Express® Rear I/O

- One RJ-45 Gigabit Ethernet connector
- Two USB 2.0 connectors
- Two DB-9 serial connectors
- One Mini DisplayPort connector
- One eSATA connector
- One PCIe Edge Card site
- Single CIM site for additional COM Express® rear I/O



* On the carrier card to support Intel processor-based COM Express modules
 ** On the carrier card to support NXP (formerly Freescale) processor-based COM Express modules