

EXP238

XMC Expansion Card for XVB603 VME Single Board Computer

The EXP238 is a 6U VMEbus form factor expansion card offering three XMC/PMC expansion sites. When ordered as an option for the XVB603 VMEbus single board computer, the 2-slot solution greatly expands system flexibility.

Connection to the Host

Connection to the XVB603 host is via x8 PCI Express™ through an on-board connector.

Please contact Abaco for further information.

FEATURES:

- Provides three XMC/PMC expansion sites via PCI Express to the host processor through on-board connector
- VITA 42.3 compliant
- Expansion sites configured as:
 - 3x 3.3V/5.0V PMC sites
 - 3x XMC sites
- Two levels of ruggedization

EXP238 XMC Expansion Card for XVB603 Single Board Computer

Specifications

Components

- PCIe Switch: PEX8725

Board-to-Board Connector

- x8 PCIe
- Power and reset signals

Board Configurations

- 3x XMC/PMC sites
- 1x 133 MHz (site 0)
- 2x 66 MHz (sites 1 and 2)

I/O

- Front I/O (site 0 provides PMC I/O) VITA-35 P4V2-46dz

MTBF

- Contact Factory

Dimensions

- 6U (8HP) dual slot Eurocard form factor
- Height: 9.2 in. (233.4mm)
- Depth: 6.3 in. (160mm)
- Thickness: 1.6 in. (40.6mm)

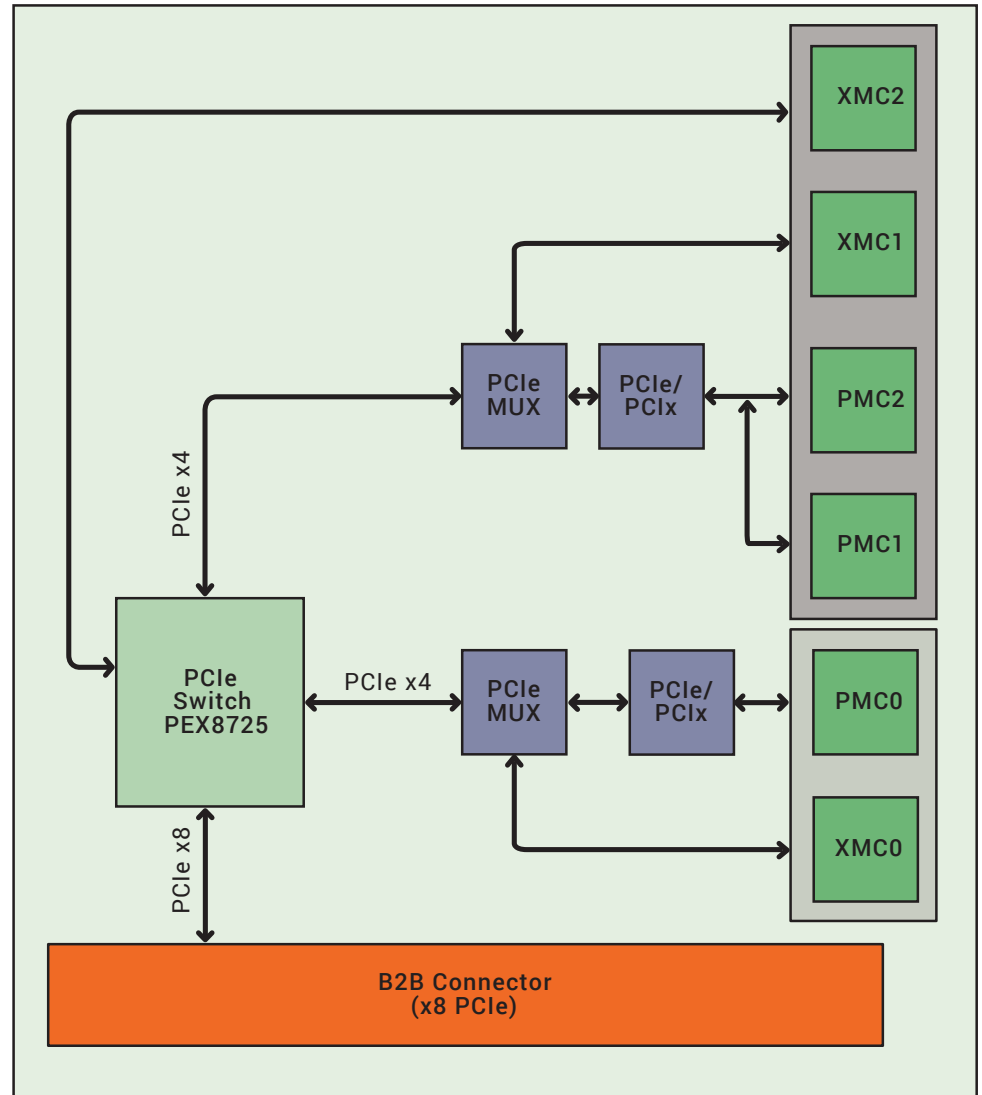
Power Requirements

- +5 VDC (±5 percent), 3 A (typical), 4 A (max.)
- +12 VDC (±5 percent), 0 mA
- -12 VDC (±5 percent), 0 mA

* Note: Does not include PMC site for power requirements

Environmental	Level 1 / Level B
Cooling Method	Convection
Conformal Coating	Opt (L1) / Std (LB)
High/Low Temperature	0° to +55° C (L1) / -20° to +55° C (LB)
Storage Temperature	-50° to +100° C
Shock	20g peak sawtooth, 11mS duration
Random Vibration	0.002g ² /Hz from 10 to 2000 Hz random and 2g sinusoidal from 5 to 500 Hz
Humidity	Up to 95% RH (L1); Up to 95% RH with varying temperature, 10 cycles, 240 hours (LB)

Block diagram



Ordering information

XVB603-B42x2010	XVB603 VMEbus single board computer fitted with board to board connector, EXP238 VMEbus expansion card.
XVB603-142x2010	XVB603 VMEbus single board computer fitted with board to board connector, EXP238 VMEbus expansion card.

WE INNOVATE. WE DELIVER. YOU SUCCEED.

Americas: 866-OK-ABACO or +1-866-652-2226 **Asia & Oceania:** +81-3-5544-3973

Europe, Africa, & Middle East: +44 (0) 1327-359444

Locate an Abaco Systems Sales Representative visit: abaco.com/products/sales

abaco.com | **@AbacoSys**

©2019 Abaco Systems. All Rights Reserved. PCI Express is a trademark of PCI-SIG. All other brands, names or trademarks are property of their respective owners. Specifications are subject to change without notice.